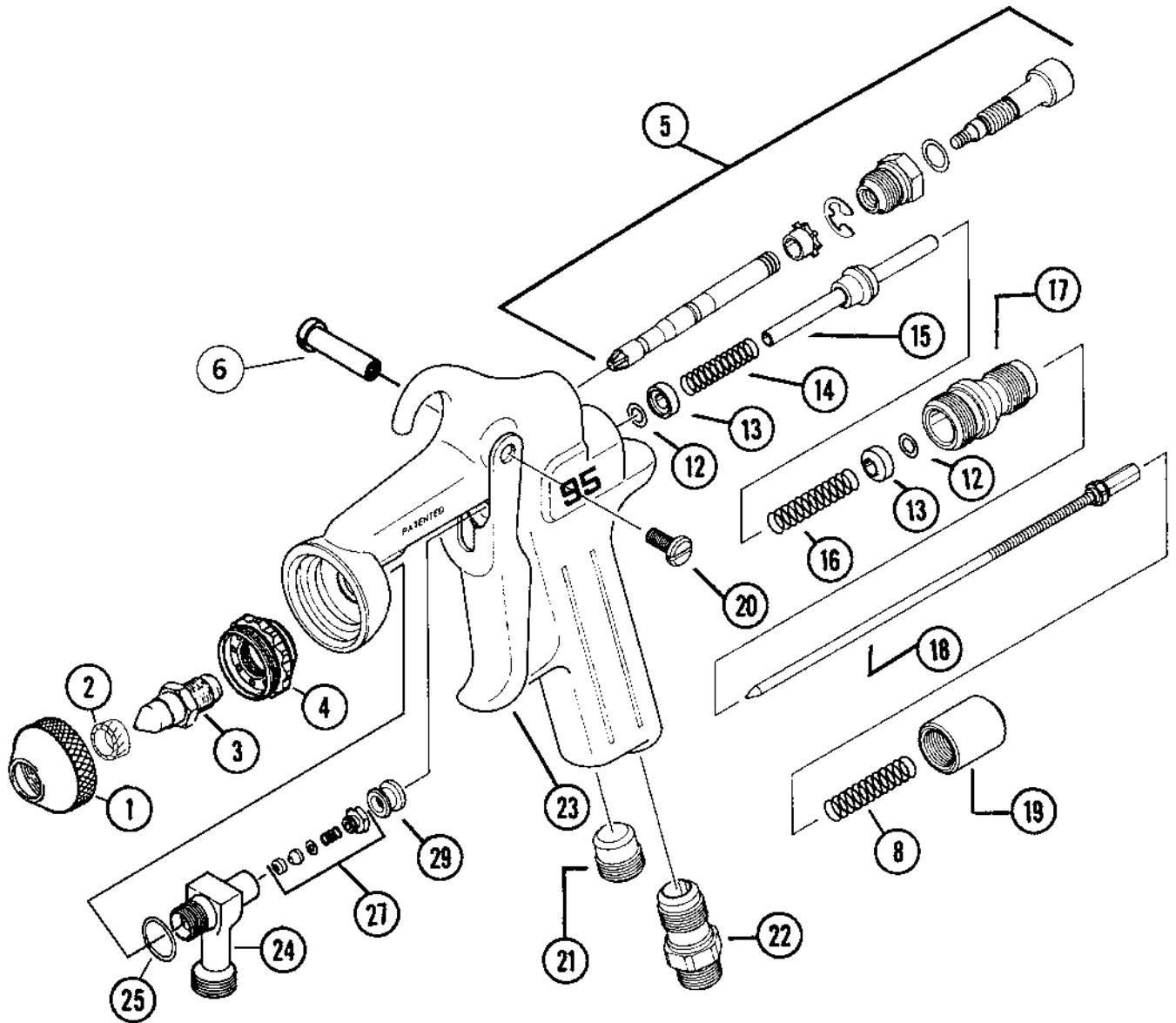




95T Tornado Spray Gun Part Sheet



TO ORDER PARTS:

Phone 530.477.4312 (7:30am-4pm PST)

Fax 530.477.4316

Email sprayit@uslegends.com

Internet uslegends.com

Mail United States Legends, Inc.

972 Golden Gate Terrace

Grass Valley CA 95945

USA



95T Tornado Spray Gun Part Sheet

| item number | part number | description |
|--------------------|-------------|---|
| 1 | 17-100 | RETAINING RING |
| 2 | 17-102 | SWIRL RING |
| 3 | 17-103-.031 | FLUID NOZZLE - .031 |
| | 17-103-.070 | FLUID NOZZLE - .070 |
| | 17-103-.096 | FLUID NOZZLE - .096 |
| 4 | 54-4215 | HEAD INSERT |
| 5 | 54-4216 | AIR ADJUSTING VALVE |
| 6 | 54-3580 | TRIGGER STUD |
| 8 | 54-3559 | SPRING H.D. |
| 12 | 20-4615 | "O" RING (2) |
| 13 | 54-3515 | HOUSING (2) |
| 14 | 54-3520 | SPRING, YELLOW |
| 15 | 54-3512 | SPINDLE ASSY |
| 16 | 54-3518 | SPRING, BLUE |
| 17 | 54-3541 | HOUSING |
| 18 | 17-663A | HVLP NEEDLE ASSY - .031 |
| | 17-670 | HVLP NEEDLE ASSY - .070 |
| | 17-696 | HVLP NEEDLE ASSY - .096 |
| 19 | 17-3542 | CONTROL KNOB |
| 20 | 82-126 | TRIGGER SCREW |
| 21 | 54-3504 | PLUG |
| 22 | 54-768 | AIR CONNECTION |
| 23 | 54-3578 | TRIGGER |
| 24 | 54-4210 | FLUID INLET, MACHINING |
| 25 | 54-3592 | COPPER GASKET |
| 27 | 54-4261 | PACKING KIT: PACKING (TEFLON), MATERIAL PACKING SCREW |
| 29 | 54-3513 | VALVE SPINDLE CAP |
| 12, 14, 15, 16, 27 | 54-3605 | REPAIR KIT |
| | 54-4213 | GUN WRENCH |

TO ORDER PARTS:

Phone 530.477.4312 (7:30am-4pm PST)

Fax 530.477.4316

Email sprayit@uslegends.com

Internet uslegends.com

Mail **United States Legends, Inc.**

972 Golden Gate Terrace

Grass Valley CA 95945

USA